

# DELTA 312P

## PANEL PC

**Fanless 12" Panel PC, Intel Celeron J6412, 8GB RAM, 256GB SSD, Windows 10 IoT**

- Compact , fanless design with solid aluminum alloy enclosure
- Projected Capacitive Touchscreen
- IP66-rated front panel
- 2x 2.5 GbE LAN
- 1x RS-232, 1x RS-232/422/485
- 2x USB 2.0, 2x USB 3.1
- 1x HDMI



### Properties



### Certificates



## Technical data

ELMATIC DELTA 312P

System	CPU	Intel Celeron J6412
	Frequency	2.00 GHz, up to 2.60 GHz
	Total Cores	4
	Total Threads	4
	Cache	1.5 MB
	Memory	1 x SODDR4 8GB industrial grade
	Storage	256GB SATA industrial grade
	Network (LAN)	2 x 10/100/1000/2500 Mbps Ethernet (Intel I226-LM)

Elmark Automatyka reserves the right to change the configuration without warning.

### Elmark Automatyka S.A.

ul. Bukowińska 22 lok. 1B, 02-703 Warszawa

www.elmark.com.pl, e-mail: elmark@elmark.com.pl, tel.: (+48) 22-773-79-37

TAX ID: 5252072585, KRS: 0000803828, Sqd Rejonowy dla M.St. W-wy, XIII Wydział Gosp. KRS, Share capital 625.000 zł, fully paid-up.

Physical Characteristics	I/O	1 x RS-232 1 x RS-232/422/485 (Adjustable through BIOS) 2 x USB 2.0 2 x USB 3.1 1 x Type C (USB only) 1 x HDMI
	Expansion	1 x M.2 2230 E-key for wireless card
	Dimensions	317 x 246 x 52.7 mm Panel Cutout Dimensions: 311 x 240 mm
Weight	4.66 kg	
Power Consumption	Input Voltage	12 ~ 30 VDC
OS Support	Windows	Windows 10 IoT LTSC
	Display Type	12" TFT LCD (LED backlight)
LCD	Resolution	1024 x 768
	Viewing Angle	85 (left), 85 (right), 89 (up), 89 (down)
	Luminance (cd/m <sup>2</sup> )	500
	Contrast Ratio	1000
	Backlight Lifetime	30,000 hr (min.)
Touchscreen	Touch Type	Projected Capacitive Multi-touch
	Light Transmission	88±2%
	Controller	USB interface
	Durability (Touches)	Cover glass > 7H
Environment	Operating Temperature	-10 ~ 50 °C
	Storage Temperature	-20 ~ 60 °C
	Relative Humidity	95% @ 40 °C (Non-Condensing)
	Shock	Operating 10 G peak acceleration (11 ms duration), follow IEC 60068-2-27
	Vibration	Operating Random Vibration Test 5 ~ 500Hz, 2Grms @with SSD, follow IEC 60068-2-64
	EMC	CE, FCC Class B, BSMI, UKCA, VCCI
	Safety	CB, CCC, UL, UKCA
Front Panel Protection	IP66 compliant	

Elmark Automatyka reserves the right to change the configuration without warning.

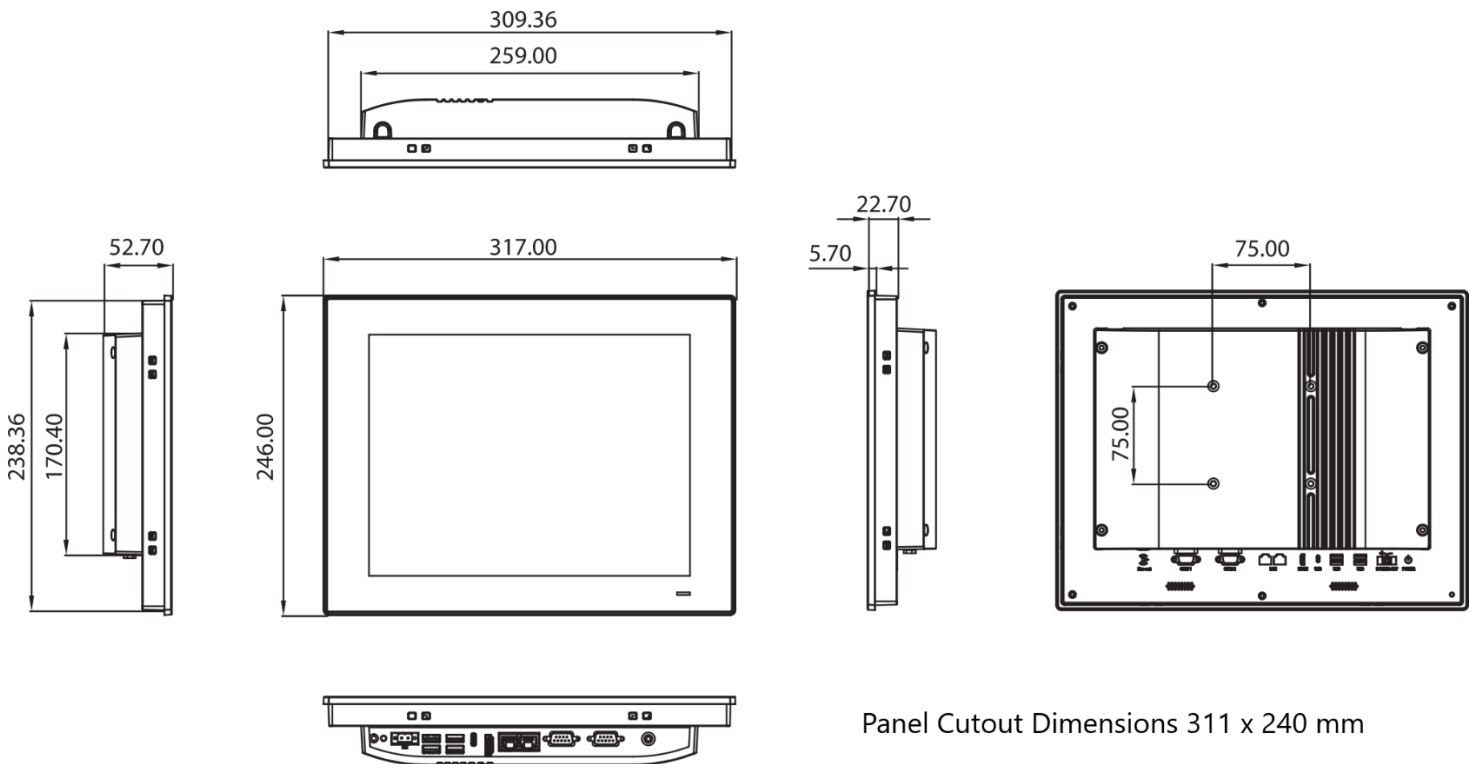
#### Elmark Automatyka S.A.

ul. Bukowińska 22 lok. 1B, 02-703 Warszawa

www.elmark.com.pl, e-mail: elmark@elmark.com.pl, tel.: (+48) 22-773-79-37

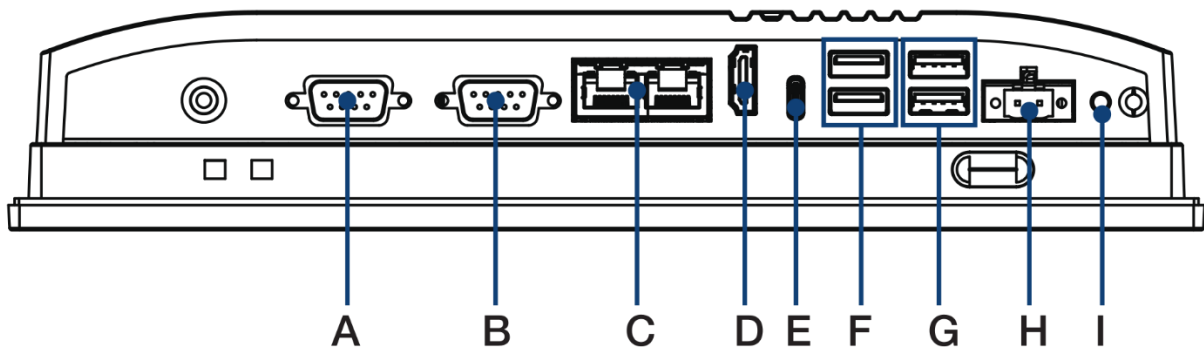
TAX ID: 5252072585, KRS: 0000803828, Sqd Rejonowy dla M.St. W-wy, XIII Wydział Gosp. KRS, Share capital 625.000 zł, fully paid-up.

## Dimensions [mm]



## Inputs/Outputs

### I/O View



- |                          |                 |
|--------------------------|-----------------|
| A. 1 x RS-232            | F. 2 x USB 3.1  |
| B. 1 x RS-232/422/485    | G. 2 x USB 2.0  |
| C. 2 x LAN               | H. DC-In        |
| D. 1 x HDMI              | I. Power Switch |
| E. 1 x Type C (USB only) |                 |

Elmark Automatyka reserves the right to change the configuration without warning.

Elmark Automatyka S.A.

ul. Bukowińska 22 lok. 1B, 02-703 Warszawa

www.elmark.com.pl, e-mail: elmark@elmark.com.pl, tel.: (+48) 22-773-79-37

TAX ID: 5252072585, KRS: 0000803828, Sqd Rejonowy dla M.St. W-ry, XIII Wydział Gosp. KRS, Share capital 625.000 zł, fully paid-up.

## Packing list

ELMATIC DELTA 312P Unit

Power cable (type E/F)

Windows license

CE Declaration

## Ordering information

Part Number	Description
-------------	-------------

ELMATIC DELTA 312P

PanelPC, 12,1", J6412, 8GB, 256GB, Win10IoT, PCT

## Accessories

Part Number	Description
-------------	-------------

FSP096-AHAN3

Desktop PSU

PPC-ARM-A03

ARM VESA Standard (A-CLEVER)

PPC-174T-WL-MTE

Wall mount kit

PPC-Stand-A1E

Stand for ELMATIC DELTA 312P

Elmark Automatyka reserves the right to change the configuration without warning.

### Elmark Automatyka S.A.

ul. Bukowińska 22 lok. 1B, 02-703 Warszawa

www.elmark.com.pl, e-mail: elmark@elmark.com.pl, tel.: (+48) 22-773-79-37

TAX ID: 5252072585, KRS: 0000803828, Sqd Rejonowy dla M.St. W-wy, XIII Wydział Gosp. KRS, Share capital 625.000 zł, fully paid-up.