

DELTA 315P

PANEL PC

Fanless 15" Panel PC, Intel Celeron J6412, 8GB RAM, 256GB SSD, Windows 10 IoT

- Compact , fanless design with solid aluminum alloy enclosure
- Projected Capacitive Touchscreen
- IP66-rated front panel
- 2x 2.5 GbE LAN
- 1x RS-232, 1x RS-232/422/485
- 2x USB 2.0, 2x USB 3.1
- 1x HDMI



Properties



Certificates



Technical data

ELMATIC DELTA 315P

System	CPU	Intel Celeron J6412
	Frequency	2.00 GHz, up to 2.60 GHz
	Total Cores	4
	Total Threads	4
	Cache	1.5 MB
	Memory	1 x SODDR4 8GB industrial grade
	Storage	256GB SATA industrial grade
	Network (LAN)	2 x 10/100/1000/2500 Mbps Ethernet (Intel I226-LM)

Elmark Automatyka reserves the right to change the configuration without warning.

Elmark Automatyka S.A.

ul. Bukowińska 22 lok. 1B, 02-703 Warszawa

www.elmark.com.pl, e-mail: elmark@elmark.com.pl, tel.: (+48) 22-773-79-37

TAX ID: 5252072585, KRS: 0000803828, Sqd Rejonowy dla M.St. W-wy, XIII Wydział Gosp. KRS, Share capital 625.000 zł, fully paid-up.

Physical Characteristics	I/O	1 x RS-232 1 x RS-232/422/485 (Adjustable through BIOS) 2 x USB 2.0 2 x USB 3.1 1 x Type C (USB only) 1 x HDMI
	Expansion	1 x M.2 2230 E-key for wireless card
	Dimensions	392 x 314 x 55 mm Panel Cutout Dimensions: 382 x 303 mm
Power Consumption	Weight	6.6 kg
	Input Voltage	12 ~ 30 VDC
OS Support	Windows	Windows 10 IoT LTSC
	Display Type	15" TFT LCD (LED backlight)
LCD	Resolution	1024 x 768
	Viewing Angle	80 (left), 80 (right), 88 (up), 88 (down)
	Luminance (cd/m ²)	300
	Contrast Ratio	2000
	Backlight Lifetime	70,000 hr (min.)
Touchscreen	Touch Type	Projected Capacitive Multi-touch
	Light Transmission	88±2%
	Controller	USB interface
	Durability (Touches)	Cover glass > 7H
Environment	Operating Temperature	-10 ~ 50 °C
	Storage Temperature	-20 ~ 60 °C
	Relative Humidity	95% @ 40 °C (Non-Condensing)
	Shock	Operating 10 G peak acceleration (11 ms duration), follow IEC 60068-2-27
	Vibration	Operating Random Vibration Test 5 ~ 500Hz, 2Grms @with SSD, follow IEC 60068-2-64
	EMC	CE, FCC Class B, BSMI, UKCA, VCCI
	Safety	CB, CCC, UL, UKCA
Front Panel Protection	IP66 compliant	

Elmark Automatyka reserves the right to change the configuration without warning.

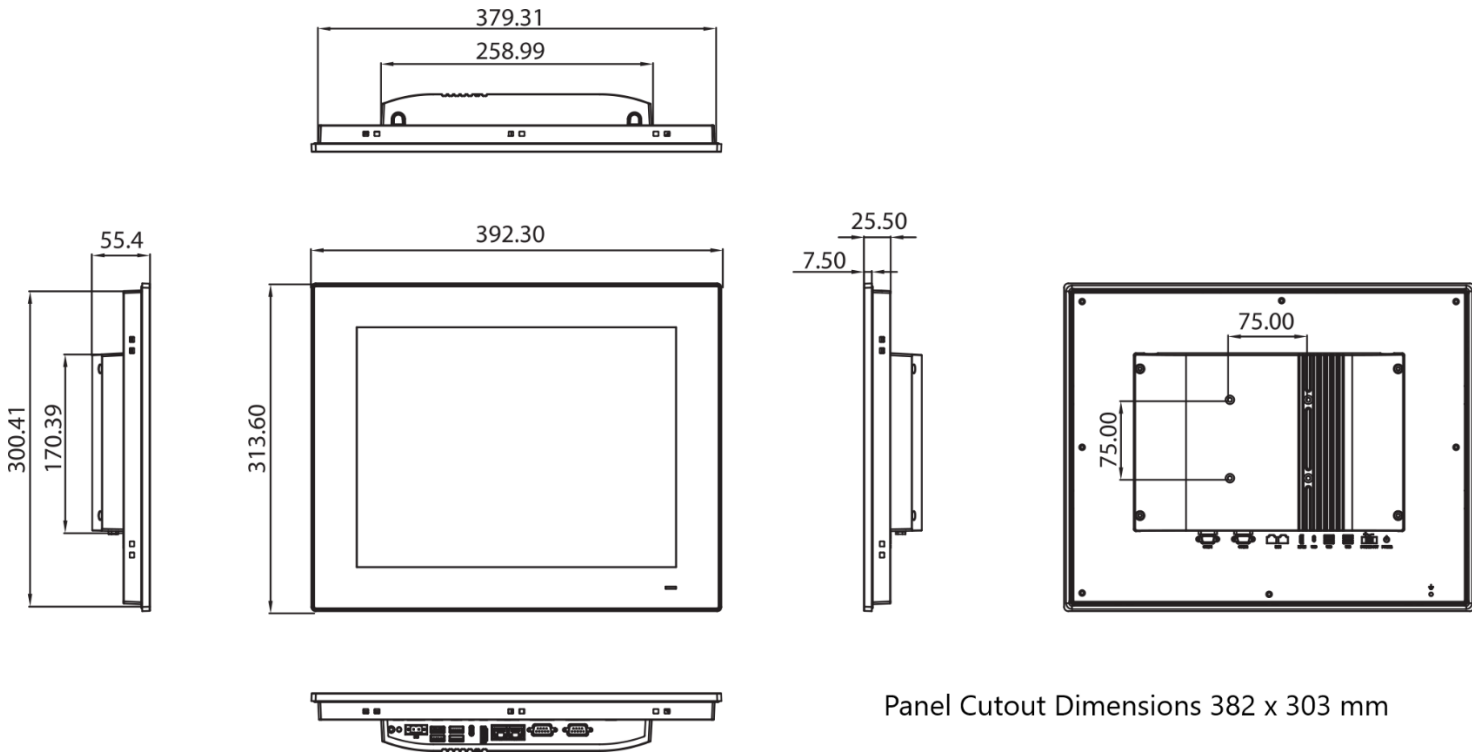
Elmark Automatyka S.A.

ul. Bukowińska 22 lok. 1B, 02-703 Warszawa

www.elmark.com.pl, e-mail: elmark@elmark.com.pl, tel.: (+48) 22-773-79-37

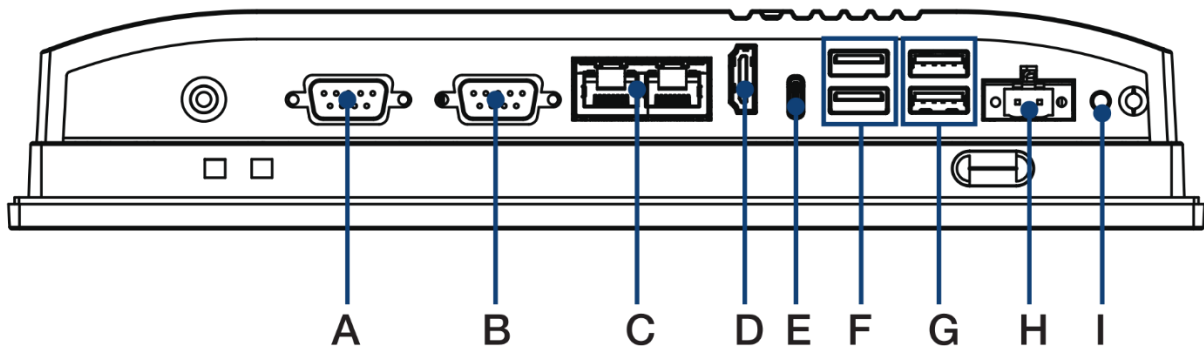
TAX ID: 5252072585, KRS: 0000803828, Sqd Rejonowy dla M.St. W-wy, XIII Wydział Gosp. KRS, Share capital 625.000 zł, fully paid-up.

Dimensions [mm]



Inputs/Outputs

I/O View



- | | |
|--------------------------|-----------------|
| A. 1 x RS-232 | F. 2 x USB 3.1 |
| B. 1 x RS-232/422/485 | G. 2 x USB 2.0 |
| C. 2 x LAN | H. DC-In |
| D. 1 x HDMI | I. Power Switch |
| E. 1 x Type C (USB only) | |

Elmark Automatyka reserves the right to change the configuration without warning.

Elmark Automatyka S.A.

ul. Bukowińska 22 lok. 1B, 02-703 Warszawa

www.elmark.com.pl, e-mail: elmark@elmark.com.pl, tel.: (+48) 22-773-79-37

TAX ID: 5252072585, KRS: 0000803828, Sqd Rejonowy dla M.St. W-ry, XIII Wydział Gosp. KRS, Share capital 625.000 zł, fully paid-up.

Packing list

ELMATIC DELTA 315P Unit

Power cable (type E/F)

Windows license

CE Declaration

Ordering information

Part Numer	Description
ELMATIC DELTA 315P	PanelPC, 15", J6412, 8GB, 256GB, Win10IoT, PCT

Accessories

Part Number	Description
FSP096-AHAN3	Desktop PSU
PPC-ARM-A03	ARM VESA Standard (A-CLEVER)
PPC-174T-WL-MTE	Wall mount kit
PPC-Stand-A1E	Stand for ELMATIC DELTA 315P

Elmark Automatyka reserves the right to change the configuration without warning.

Elmark Automatyka S.A.

ul. Bukowińska 22 lok. 1B, 02-703 Warszawa

www.elmark.com.pl, e-mail: elmark@elmark.com.pl, tel.: (+48) 22-773-79-37

TAX ID: 5252072585, KRS: 0000803828, Sąd Rejonowy dla M.St. W-wy, XIII Wydział Gosp. KRS, Share capital 625.000 zł, fully paid-up.