

Industrial LoRaWAN[®] Gateway UG56

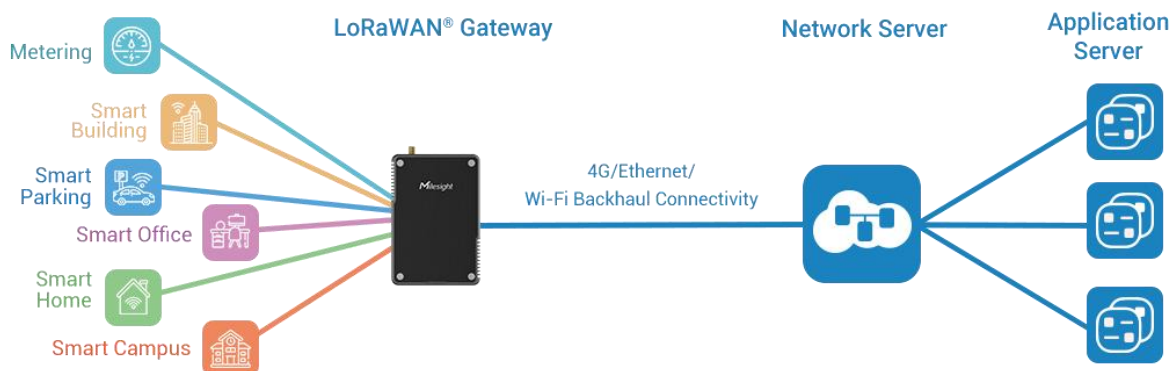
Milesight



UG56 is a robust 8-channel indoor LoRaWAN[®] gateway. Adopting SX1302 chip and high-performance quad-core CPU, UG56 supports connection with more than 2000 nodes. UG56 has line of sight up to 15 km and can cover about 2 km in urbanized environment, which is ideally suited to smart building, smart industries and many other indoor applications.

UG56 supports not only multiple back-haul backups with Ethernet, Wi-Fi and cellular, but also has integrated mainstream network servers (such as The Things Stack, ChirpStack, etc.), built-in network server and Milesight Development Platform for easy deployment.

◆ Application Example



◆ Features

- Quad-core industrial processor with big memory
- Equip with SX1302 chip, handling a higher amount of traffic with lower consumption
- 8 half-duplex channels
- Rugged metal enclosure for industrial applications
- Desktop, wall or DIN rail mounting
- Multi backhaul connectivity backups with Ethernet, cellular (4G) and Wi-Fi
- DeviceHub and Milesight Development Platform provide easy and centralized management of remote devices
- Enable security communication with multiple VPNs like IPsec/OpenVPN/L2TP/PPTP/DMV PN/WireGuard
- Compatible with mainstream network servers like The Things Stack, ChirpStack, Actility, AWS, etc.
- Detect and analyze the noise level and provide intuitive diagram for deployment
- Built-in network server and MQTT/HTTP/HTTPS API for easily integration
- Support BACnet/IP and Modbus to integrate LoRaWAN[®] data to BMS/PLC system easily
- Embedded Python SDK for users secondary development
- Fast and user-friendly programming by Node-RED development tool

◆ Hardware Specifications

Hardware System	
CPU	Quad-core 1.3 GHz, 64-bit ARM Cortex-A35
Memory	512 MB DDR3 RAM
Flash	8 GB eMMC
Extendable Storage	1 × Micro SD Slot (Internal)
LoRaWAN	
Antenna Connector	1 × 50 Ω SMA Connector (Center PIN: SMA Female)
Channel	8 (Half-duplex)
Frequency Band	CN470/IN865/EU868/RU864/US915/AU915/KR920/AS923-1&2&3&4
Sensitivity	-140 dBm Sensitivity @292bps
Tx Power	27 dBm Max
Protocol	V1.0 Class A/Class B/Class C and V1.0.2 Class A/Class B/Class C
LBT ¹	Support

¹ AU915 and US915 do not support LBT.

Ethernet Interface

Port	1 × RJ45 WAN Port (PoE PD supported)
Physical Layer	10/100 Base-T (IEEE 802.3)
Data Rate	10/100 Mbps (Auto-Sensing)
Interface	Auto MDI/MDIX
Mode	Full or Half Duplex (Auto-Sensing)
Ethernet Isolation	1.5 kV RMS

Wi-Fi Interface

Antenna	Internal Antenna
Standards	IEEE 802.11b/g/n, 2.4 GHz
	802.11b: 18 dBm +/-2.0 dBm (11 Mbps)
	802.11g: 15 dBm +/-2.0 dBm (6 Mbps)
	802.11g: 15 dBm +/-2.0 dBm (54 Mbps)
Tx Power	802.11n@2.4 GHz: 14 dBm +/-2.0 dBm (MCS0_HT20)
	802.11n@2.4 GHz: 14 dBm +/-2.0 dBm (MCS7_HT20)
	802.11n@2.4 GHz: 13 dBm +/-2.0 dBm (MCS0_HT40)
	802.11n@2.4 GHz: 13 dBm +/-2.0 dBm (MCS7_HT40)

Cellular Interface (Optional)

Network	4G LTE
Antenna Connector	1 × 50 Ω SMA Connector (Center PIN: SMA Female)
SIM Slot	1 (Mini SIM-2FF)

Others

Reset Button	1 × RST (Internal)
USB	1 × USB Type-C for Power Supply and Console
LED Indicators	1 × SYSTEM, 1 × LoRa
Built-in	Watchdog, Timer

Power Supply and Consumption

Power Input	1. 802.3 af PoE 2. 5V/2A by Type-C Port
Power Consumption	Typical 1.8 W, Max 6.9 W

Physical Characteristics

Ingress Protection	IP30
Housing & Color	Metal, Black
Weight	186g
Dimensions	110 x 75 x 24 mm (4.33 x 2.95 x 0.94 in)

Installation	Desktop, Wall Mounting, DIN Rail Mounting ²
--------------	--

Environmental

Operating Temperature	-20°C to +60°C (-4°F to +140°F)
-----------------------	---------------------------------

Storage Temperature	-40°C to +85°C (-40°F to +185°F)
---------------------	----------------------------------

Relative Humidity	0% to 95% (non-condensing) at 25°C/77°F
-------------------	---

Approvals

Regulatory	CE, FCC, ISED
------------	---------------

Environmental	RoHS
---------------	------

◆ Software Specifications

LoRaWAN[®]

Supported Devices	Around 2000 Class A/B/C Devices (10 min uplink interval)
-------------------	--

Protocol	V1.0 Class A/Class B/Class C and V1.0.2 Class A/Class B/Class C
----------	---

Compatibility	DeviceHub LNS, Milesight Development Platform LNS, Milesight IoT Cloud, etc.
---------------	--

For more see [ecosystem program](#).

Packet Forwarder

Noise Analyzer	Scan the noise of the frequencies for channel selection
----------------	---

Packet Filter	Add whitelist or blacklist to filter the packets
---------------	--

Data Retransmission ³	Re-transmit the data packets after network recovery
----------------------------------	---

Embedded Network Server

Decode and Encode	Inbuilt Milesight devices codec library, support custom codec setup
-------------------	---

Gateway Fleet	Work as the network server of other Milesight blind-filling gateways
---------------	--

Multicast	Support multicast downlink control
-----------	------------------------------------

FUOTA	Upgrade FUOTA supported end devices
-------	-------------------------------------

Integration	MQTT, HTTP(s), BACnet/IP, Modbus TCP, Modbus RTU over TCP
-------------	---

Network

Network Protocols	PPPoE, SNMP v1/v2c/v3, TCP, UDP, DHCP, DDNS, HTTP, HTTPS, DNS, ARP, SNTp, Telnet, SSH, MQTT, MQTTS, BACnet/IP, Modbus RTU over TCP, Modbus TCP, etc.
-------------------	--

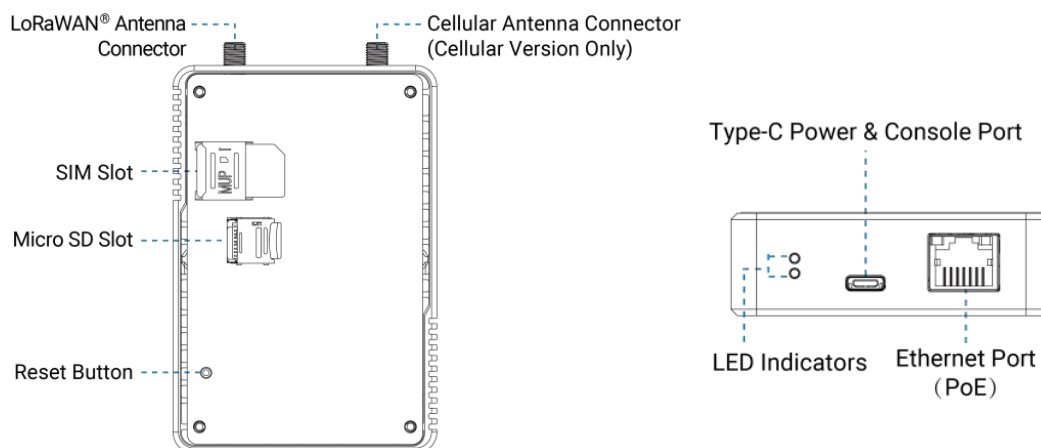
VPN Tunnel	OpenVPN/IPsec/PPTP/L2TP/GRE/DMVPN/WireGuard
------------	---

² Only new hardware devices support DIN Rail mounting. Please contact Milesight for it before purchase.

³ Only parts of packet forwarders support this feature.

Firewalls	Access Control, DMZ, Port Mapping (DNAT), MAC Binding, Filtering (IP&Domain)
DDNS	Supported >16 service providers, others can be configured manually
Multilevel Authority	Multiple Levels of User Authority
Reliability	WAN Failover
Diagnostics Tools	Ping, Traceroute, Tcpdump, QXDM, Log Server
Wi-Fi Interface	
Standards	IEEE 802.11 b/g/n, 2.4GHz
Mode	AP or Client mode
Security	AP: WPA-PSK/WPA2-PSK authentication, WEP/TKIP/AES encryption Client: WPA-PSK/WPA2-PSK/WPA-Enterprise/WPA2-Enterprise authentication, WEP/TKIP/AES encryption
Management	
Configuration	Web, CLI (SSH/Telnet), SMS, On-demand dial up, SNMP, HTTP API, MQTT API, Milesight Development Platform, DeviceHub
Update	Web, Milesight Development Platform, DeviceHub
Device Management	Milesight Development Platform, DeviceHub
Event Alarm	Power On, Network Up/Down, VPN Up/Down, etc.
Others	
App	Python SDK, Node-RED

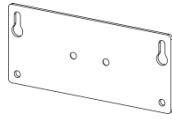
◆ Hardware Overview



◆ Accessories



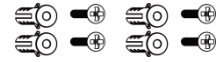
1 × LoRaWAN®
Magnetic Antenna



1 × Wall Mounting
Bracket



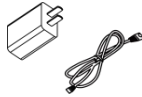
2 × Bracket Fixing
Screws



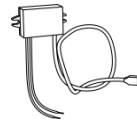
4 × Wall Mounting
Kits



1 × Magnetic Cellular
Antenna
(Cellular Version Only)



1 × Type-C Cable &
Power Adapter
(Optional)



1 × AC/DC-DC
Power Converter Kit
(Optional)



1 × DIN Rail Clip Kit
(Optional)

***Note:** Contact us if you need any other special accessories or customized accessories.

◆ Dimensions(mm)

