

# Product Information

Original Instructions

## SensaGuard Integrated Latch



Catalog Numbers 440N-Z21SS3PA, 440N-Z21SS3PB, 440N-Z21SS3PH, 440N-Z21SS3PJ, 440N-Z21US3PA, 440N-Z21US3PB, 440N-Z21US3PH, 440N-Z21US3PJ



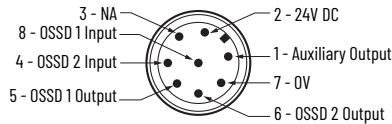
**ATTENTION:** Read this document and the documents that are listed in [Additional Resources on page 2](#) about installation, configuration, and operation of this equipment before you install. Users are required to familiarize themselves with installation and connection instructions and requirements of all applicable codes, laws, and standards. In accordance with applicable codes of practice, suitably trained personnel are required to implement installation, adjustments, service initiation, use, assembly, disassembly, and maintenance. If this equipment is used in a manner that the manufacturer does not specify, the protection that is provided by the equipment may be impaired.



**WARNING:** Do not defeat, tamper, remove, or bypass this unit. Severe injury to personnel could result.

### Wiring

Figure 1 - Typical 8-Pin Unit Wiring Diagram



Pin Number	Wire Color	Signal
1	White	Aux. Output C
2	Brown	+24V DC <sup>(1)</sup>
3	Green	—
4	Yellow	OSSD 2 Input
5	Gray	OSSD 1 Output
6	Pink	OSSD 2 Output
7	Blue	0V
8	Red	OSSD 1 Input

(1) Operating voltage is 24V DC +10%/-15% Class 2 SELV or PELV power supply.

### Recommended Mating Cable

Recommended connection cable, 2 m (6.5 ft) – 889D-F8AB-2. Replace the 2 with 5 (5 m [16.4 ft]) or 10 (10 m [32.8 ft]) for standard cable lengths.

### Status/Diagnostic Indicator



State	Status	Troubleshooting
Off	Not powered	—
Red	OSSD not active	—
Green	OSSD active	—
Green flash	Power up test or OSSD inputs not valid	Check 24V DC on OSSD inputs (yellow and red wire)
Red flash	1 Hz flash OSSD fault 4 Hz flash internal fault	OSSD fault—check OSSD outputs are not shorted to GND, 24V DC, or each other. Cycle power.

See publication [440N-IN009](#) in [Additional Resources on page 2](#) for learning process errors.

### Mounting Information

**IMPORTANT** Do not over torque the mounting hardware.

- Position the switch and actuator so they are aligned with each other.
- Mount the switch and actuator to the removable guard, door, or gate.
  - Recommended fastener size – M6
  - Recommended torque – 2.2 N•m (19.5 in•lb)

Figure 2 - Nut Torque Specification

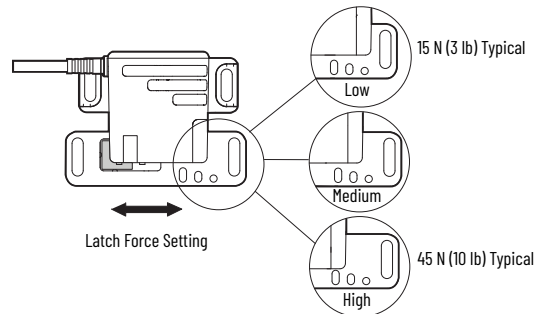
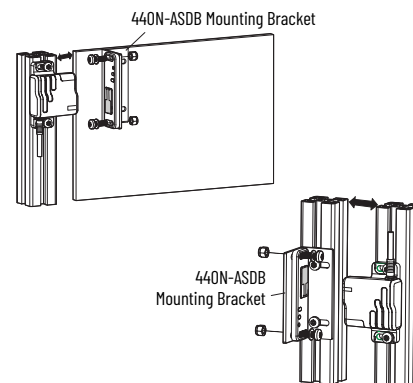
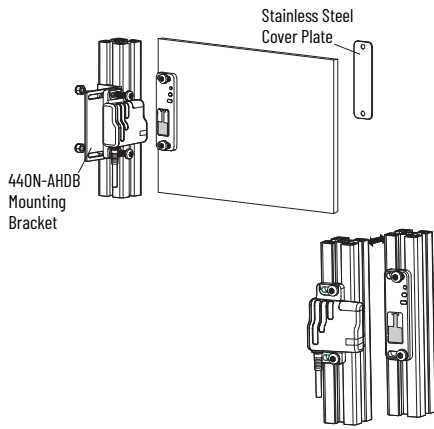


Figure 3 - Sliding Door



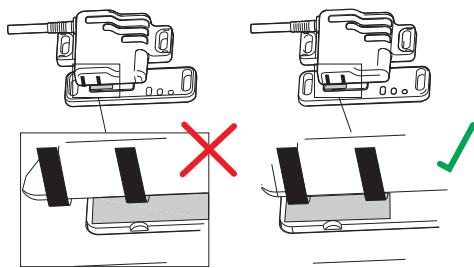
**Figure 4 - Hinged Door**



**Misalignment**

50 mm (1.97 in.) side-to-side orientation.

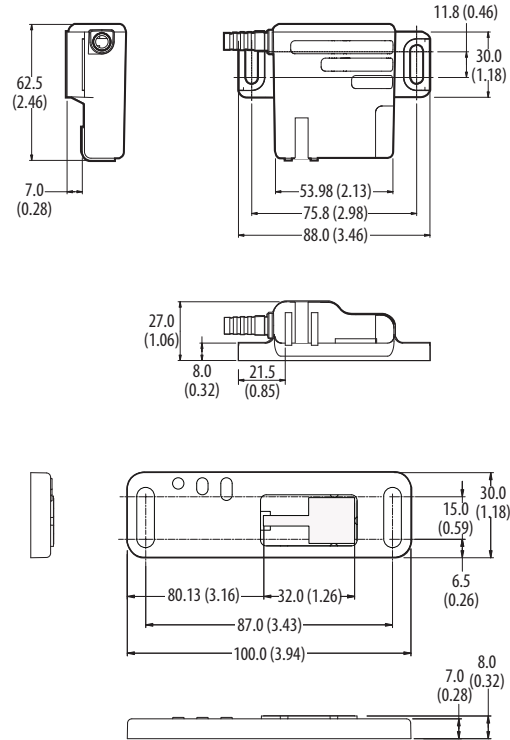
**Figure 5 - Striker Plate**



Both pole pieces must be in contact with the striker plate.

**Approximate Dimensions**

**Figure 6 - Switch and Actuator [mm (in.)]**



**Additional Resources**

To download publications, visit [rok.auto/literature](http://rok.auto/literature) and search for the following publication numbers.

Resource	Description
SensaGuard Integrated Latch Installation Instructions, publication <a href="#">440N-IN009</a>	A detailed description of the SensaGuard™ integrated latch functionality, configuration, installation procedure, and information on how to use the switch.
Product Certifications website, <a href="http://rok.auto/certifications">rok.auto/certifications</a>	Provides declarations of conformity, certificates, and other certification details.

**Waste Electrical and Electronic Equipment (WEEE)**







At the end of life, this equipment should be collected separately from any unsorted municipal waste.

Rockwell Automation maintains current product environmental compliance information on its website at [rok.auto/pec](http://rok.auto/pec).

Your comments help us serve your documentation needs better. If you have any suggestions on how to improve our content, complete the form at [rok.auto/docfeedback](http://rok.auto/docfeedback).

For technical support, visit [rok.auto/support](http://rok.auto/support).

Rockwell Otomasyon Ticaret A.Ş. Kar Plaza İş Merkezi E Blok Kat:6 34752, İçerenköy, İstanbul, Tel: +90 (216) 5698400 EEE Yönetmeliğine Uygundur

Connect with us.    

**rockwellautomation.com** ————— expanding **human possibility**™

AMERICAS: Rockwell Automation, 1201 South Second Street, Milwaukee, WI 53204-2496 USA, Tel: (1) 414.382.2000, Fax: (1) 414.382.4444

EUROPE/MIDDLE EAST/AFRICA: Rockwell Automation NV, Pegasus Park, De Kleetlaan 12a, 1831 Diegem, Belgium, Tel: (32) 2 663 0600, Fax: (32) 2 663 0640

ASIA PACIFIC: Rockwell Automation, Level 14, Core F, Cyberport 3, 100 Cyberport Road, Hong Kong, Tel: (852) 2887 4788, Fax: (852) 2508 1846

Allen-Bradley, expanding human possibility, Guardmaster, Rockwell Automation, and SensaGuard are trademarks of Rockwell Automation, Inc. Trademarks not belonging to Rockwell Automation are property of their respective companies.

Publication 440N-PC004A-EN-P - April 2021

Copyright © 2021 Rockwell Automation, Inc. All rights reserved. Printed in the U.S.A.



PN-578908

PN-578908

10005445543 Ver 01