

Product Information

Original Instructions

SensaGuard Rectangular Flat Pack (Series B Models Only)

Catalog Number 440N-Z2ISSx, 440N-Z2IUSx



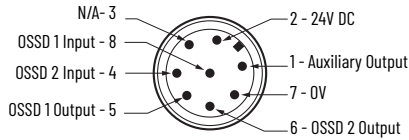
ATTENTION: Read this document and the documents that are listed in [Additional Resources on page 2](#) about installation, configuration, and operation of this equipment before you install. Users are required to familiarize themselves with installation and connection instructions and requirements of all applicable codes, laws, and standards. In accordance with applicable codes of practice, suitably trained personnel are required to implement installation, adjustments, service initiation, use, assembly, disassembly, and maintenance. If this equipment is used in a manner that the manufacturer does not specify, the protection that is provided by the equipment may be impaired.



WARNING: Do not defeat, tamper, remove, or bypass this unit. Severe injury to personnel could result.

Wiring

Table 1 - 8-pin Unit Pinout



Pin Number	Wire Color	Signal
1	White	Auxiliary Output
2	Brown	24V DC ⁽¹⁾
3	Green	—
4	Yellow	OSSD 2 Input
5	Gray	OSSD 1 Output
6	Pink	OSSD 2 Output
7	Blue	0V
8	Red	OSSD 1 Input

(1) Operating voltage is 24V DC +10%/-15% Class 2 SELV or PELV power supply.

Recommended cable connection, 2 m (6.5 ft) - 889D-F8AB-2. For additional lengths, replace the 2 with 5 (5 m [16.4 ft]) or 10 (10 m [32.8 ft]).

Table 2 - 5-pin Unit Pinout



Pin Number	Color	Signal
1	Brown	+24V ⁽¹⁾
2	White	Safety OSSD 1 Output
3	Blue	0V
4	Black	Safety OSSD 2 Output
5	Gray	Auxiliary Output

(1) Operating voltage is 24V DC +10%/-15% Class 2 SELV or PELV power supply.

The recommended cordset is 2 m (6.5 ft) - 889D-F5AC-2. For additional lengths, replace the 2 with 5 (5 m [16 ft]) or 10 (10 m [32.8 ft]).

IMPORTANT If you do not require the auxiliary signal, a 4-pin cordset (889D-F4AC-2) can be used.

The recommended patchcord for use with ArmorBlock® Guard I/O™ module is 2 m (6.5 ft) - 889D-F4ACDM-2. Replace the 2 with 0M3 (0.3 m [0.98 ft]), 1 (1 m [3.28 ft]), 5 (5 m [16.4 ft]), or 10 (10 m [32.8 ft]) for standard cable lengths.

IMPORTANT Do not use a 5-pin patchcord with the ArmorBlock Guard I/O module.

Status/Diagnostic Indicator

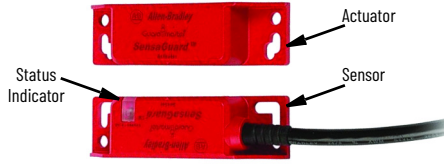


Table 3 - Status/Diagnostic Indicator

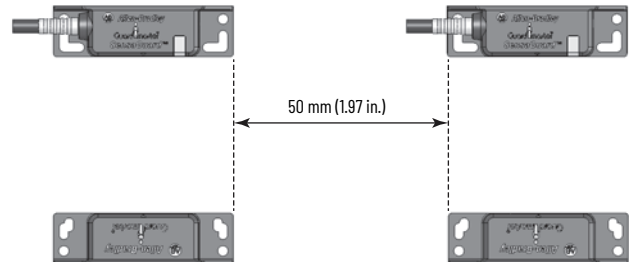
State	Status	Troubleshooting
Off	Not powered	—
Red	OSSD not active	—
Green	OSSD active	—
Flashing green	Power up test or OSSD inputs not valid	Check 24V DC or OSSD inputs (yellow or red wire)
Flashing red	0.5 Hz flash OSSD fault	OSSD fault—check that OSSD outputs are not shorted to GND, 24V DC, or each other
	2 Hz flash internal fault	Cycle power
Flashing amber	Actuator at maximum sensing range (-N and -N9 models only)	Move actuator closer to sensor

See publication [440N-IN018](#) in [Additional Resources on page 2](#) for learning sequence errors.

Nut Torque Specification

Switch/actuator: 2.20 N·m (19.5 lb·in)

Minimum Distance Between Sensors



Approximate Dimensions

Figure 1 - Actuator [mm (in.)]

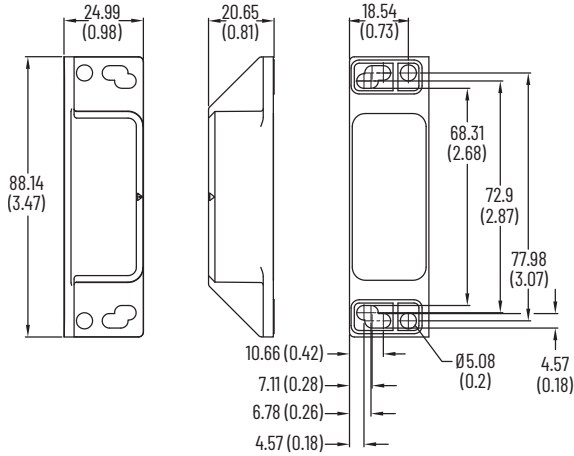
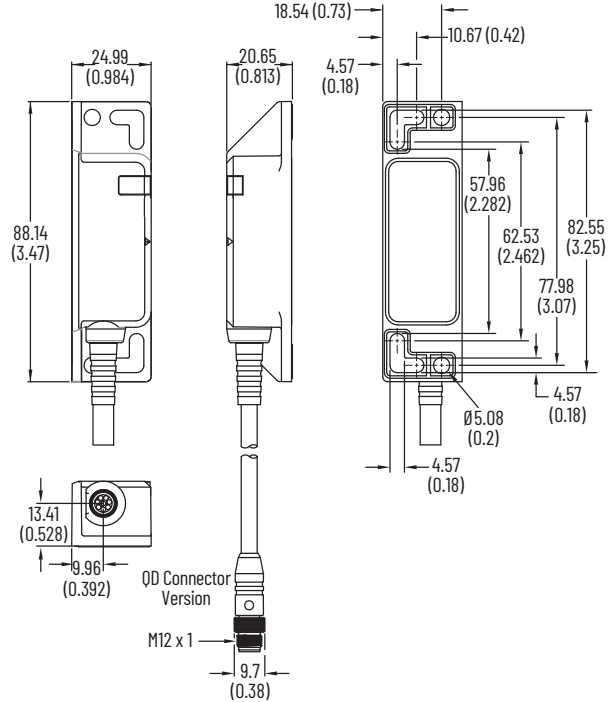


Figure 2 - Sensor [mm (in.)]



Additional Resources

To download publications, visit rok.auto/literature and search for the following publication numbers.

Resource	Description
SensaGuard Rectangular Flat Pack Installation Instructions, publication 440N-IN018	A detailed description of the SensaGuard™ Rectangular Flat Pack functionality, configuration, installation procedure, and information on how to use the switch.
Safety Switches Specifications Technical Data, publication SWITCH-TD001	Provides specification information for safety switch devices.
Product Certifications website, rok.auto/certifications	Provides declarations of conformity, certificates, and other certification details.

Waste Electrical and Electronic Equipment (WEEE)







At the end of life, this equipment should be collected separately from any unsorted municipal waste.

Rockwell Automation maintains current product environmental compliance information on its website at rok.auto/pec.

Your comments help us serve your documentation needs better. If you have any suggestions on how to improve our content, complete the form at rok.auto/docfeedback.

For technical support, visit rok.auto/support.

Rockwell Otomasyon Ticaret A.Ş. Kar Plaza İş Merkezi E Blok Kat:6 34752, İçerenköy, İstanbul, Tel: +90 (216) 5698400 EEE Yönetmeliğine Uygundur

Connect with us.    

rockwellautomation.com

expanding **human possibility**™

AMERICAS: Rockwell Automation, 1201 South Second Street, Milwaukee, WI 53204-2496 USA, Tel: (1) 414.382.2000, Fax: (1) 414.382.4444

EUROPE/MIDDLE EAST/AFRICA: Rockwell Automation NV, Pegasus Park, De Kleetlaan 12a, 1831 Diegem, Belgium, Tel: (32) 2 663 0600, Fax: (32) 2 663 0640

ASIA PACIFIC: Rockwell Automation, Level 14, Core F, Cyberport 3, 100 Cyberport Road, Hong Kong, Tel: (852) 2887 4788, Fax: (852) 2508 1846

Allen-Bradley, ArmorBlock, expanding human possibility, Guardmaster, Guard I/O, Rockwell Automation, and SensaGuard are trademarks of Rockwell Automation, Inc.

Trademarks not belonging to Rockwell Automation are property of their respective companies.

Publication 440N-PC001B-EN-P - April 2021 | Supersedes Publication 440N-PC001A-EN-P - January 2021

Copyright © 2021 Rockwell Automation, Inc. All rights reserved. Printed in the U.S.A.



PN-474220

PN-474220

10003829146 Ver 04